

The built in has to respect the minimum distances between the unit and surrounding case.

It has to have adequate ventilation openings communicating directly with the external ambient, to obtain the right quantity of air flow through forced ventilation (image 3 and 3a)

The holes should be covered with dedicated grills to prevent the access to the electrical parts, having a maximum space between the wings of 5mm

Example of ventilation

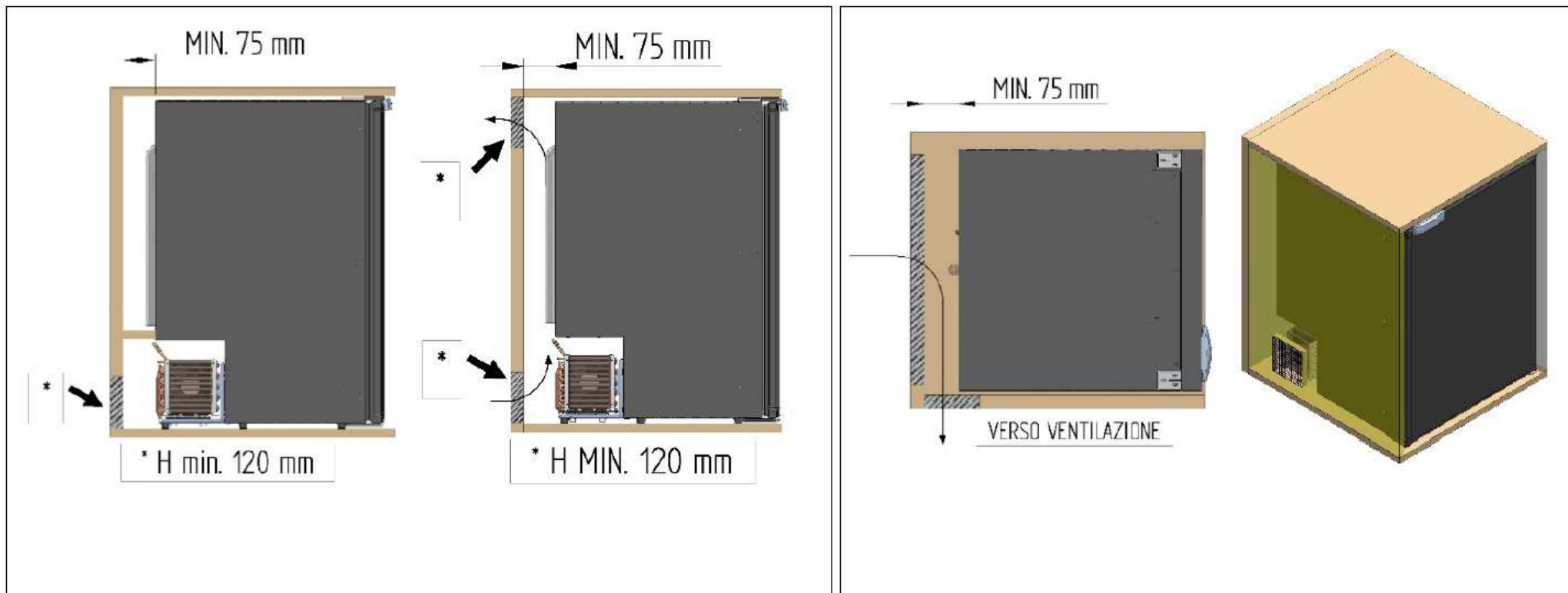
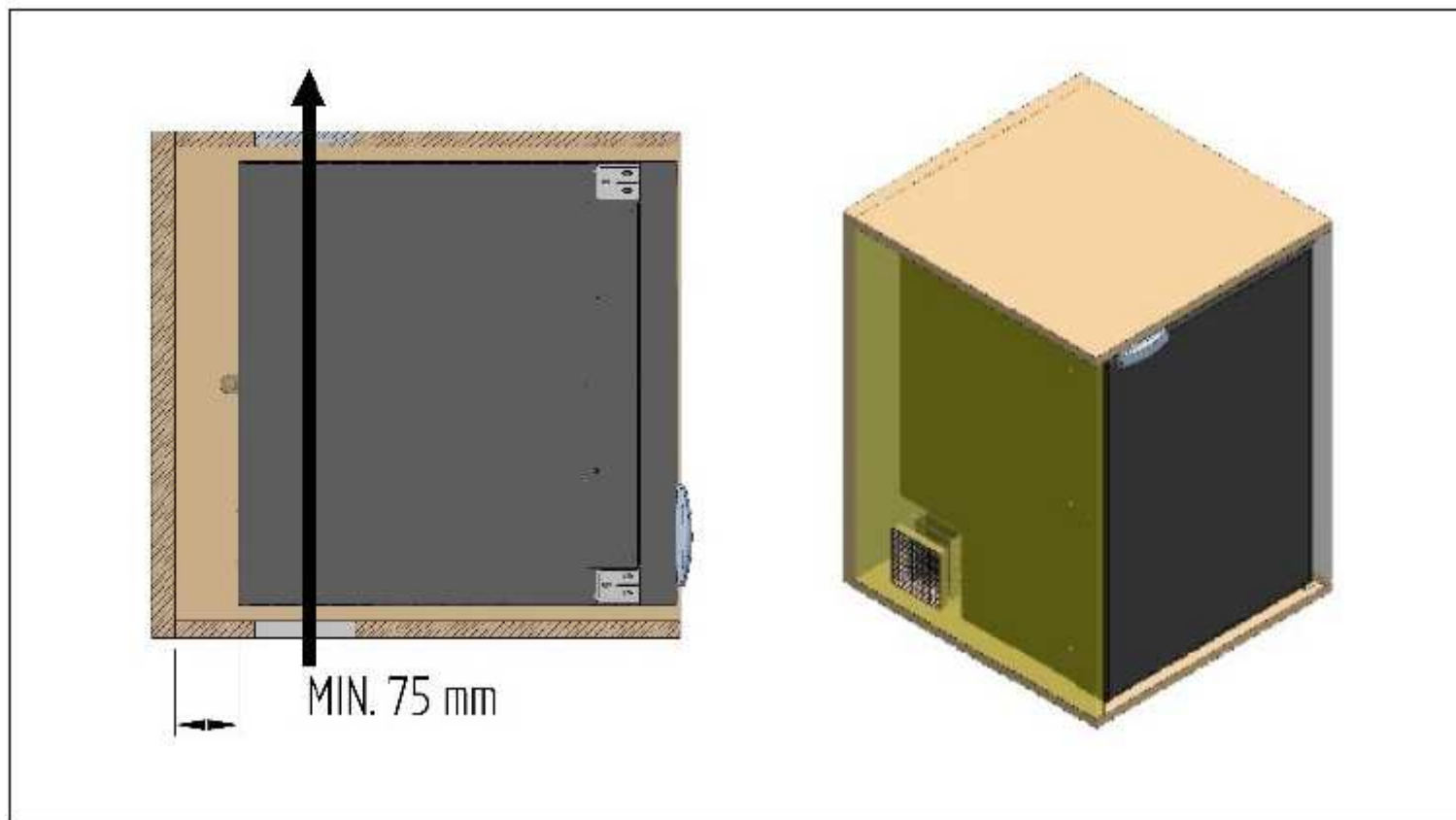


Image 3 – back air flow

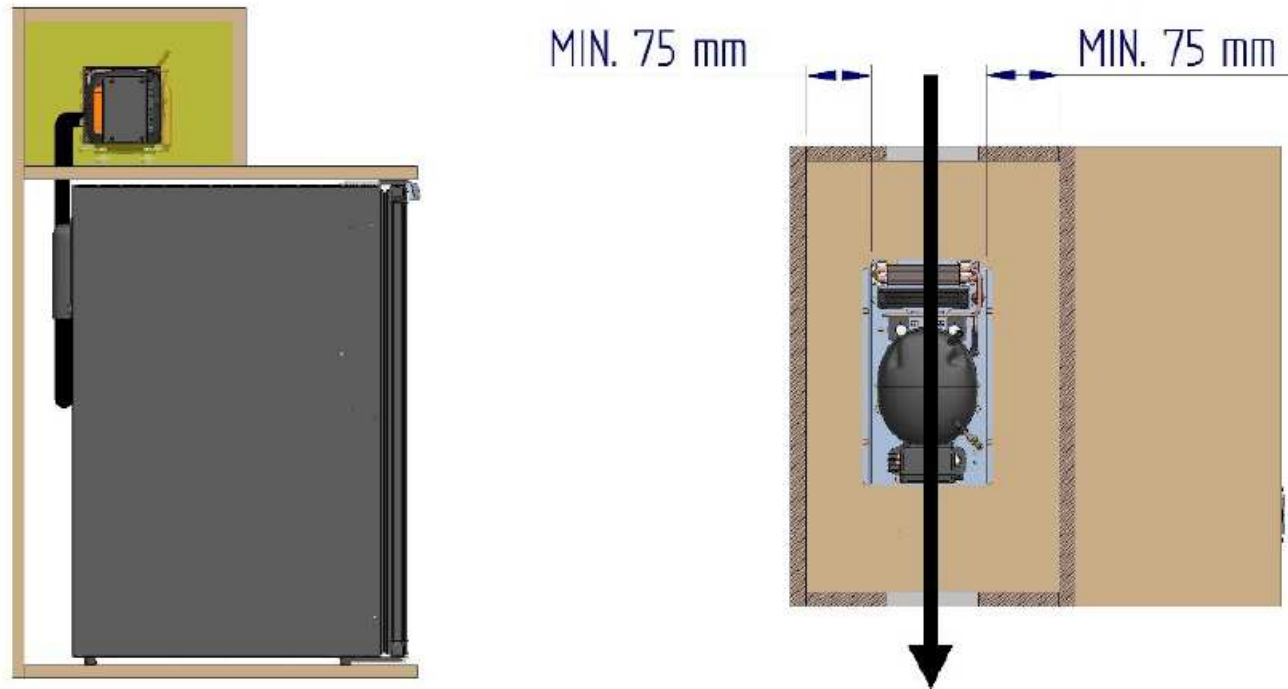
side air flow - image 3a

2 – Dimension of 120 x 120 mm if the grills are on both sides, as per image below (3b)



**Image 3b – side hole and air flow**

## Ventilation for the quick coupling models





VITRIFRIGO s.r.l.  
Via Mazzini, 75  
Fraz. Montecchio  
61022 Vallefoglia (PU) - Italy

Tel. +39 0721 491080  
Fax. +39 0721 497739  
P. Iva/C.F.: 00391290418

[info@vitrifrigo.com](mailto:info@vitrifrigo.com)  
[www.vitrifrigo.com](http://www.vitrifrigo.com)