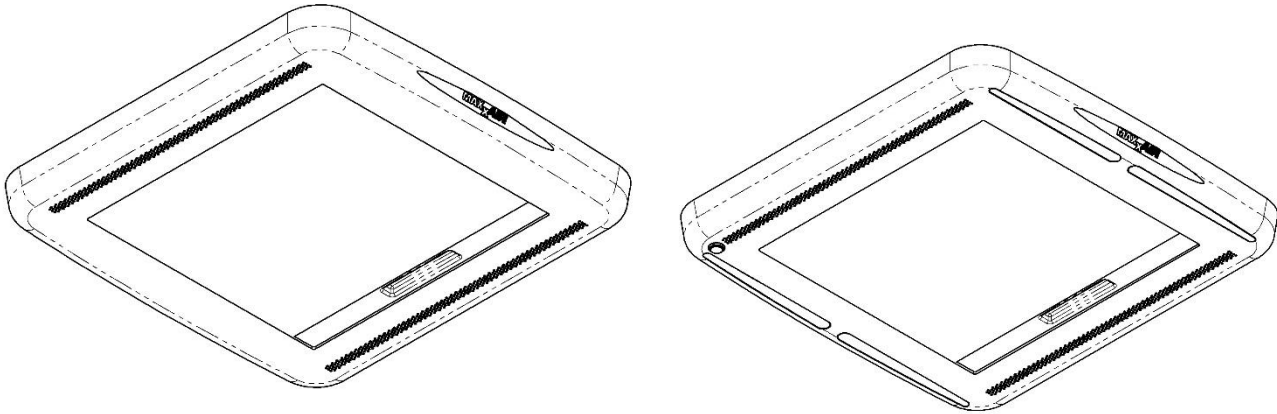


# MAXXAIR

## MAXXShade

### INSTALLATION INSTRUCTIONS, INFORMATION AND OPERATING GUIDE

#### FOR MAXXAIR MAXXSHADE 3900 & 3901



#### READ AND SAVE THESE INSTRUCTIONS

**NOTE:** Refer to Installation Instructions, Information and Operation Guides regarding the model you have purchased.

The **MAXXAIR MAXXShade** mounts over the **MAXXFAN** garnish ring to provide a shade option to your MAXXFAN or a shade with "COOL WHITE" LED light. The **MAXXShade** shade is made of light blocking material and the frame provides passive ventilation.

The **MAXXAIR MAXXShade** will mount over competitor's vent fans to provide shade or shade with LED lighting by simply drilling holes in the competitor's garnish ring to accommodate the **MAXXShade** adapter.

The LED lighted **MAXXShade** requires a minimum 12 Volt DC, 2 amp service. Confirm that the circuit you intend to use will accommodate the additional load. The circuit must be fused and use appropriate gauge stranded wire for electrical connections.

**NOTE: THE FAN SHOULD NOT BE OPERATED WHEN THE SHADE IS CLOSED. In some instances, the fan may overheat when used while the shade is closed.**

**WARNING! TO REDUCE THE RISK OF FIRE, ELECTRIC SHOCK, OR INJURY TO PERSONS, OBSERVE THE FOLLOWING:**

- a) Use this unit only in the manner intended by AIRXCEL, INC. If you have questions, contact the manufacturer.
- b) Before servicing or cleaning the unit, switch power off at service panel and lock the service disconnecting means to prevent power from being switched on accidentally. When the service disconnecting means cannot be locked, securely fasten a prominent warning device, such as a tag, to the service panel.

**CAUTION! FOR GENERAL VENTILATION USE ONLY. DO NOT USE TO EXHAUST HAZARDOUS OR EXPLOSIVE MATERIALS OR VAPORS.**



## INSTALLATION INSTRUCTIONS – ALL MODELS

**WARNING! TO REDUCE THE RISK OF FIRE, ELECTRIC SHOCK, OR INJURY TO PERSONS, OBSERVE THE FOLLOWING:**

Installation work and electrical wiring must be done by qualified person(s) in accordance with all applicable codes and standards, including fire-rated construction.

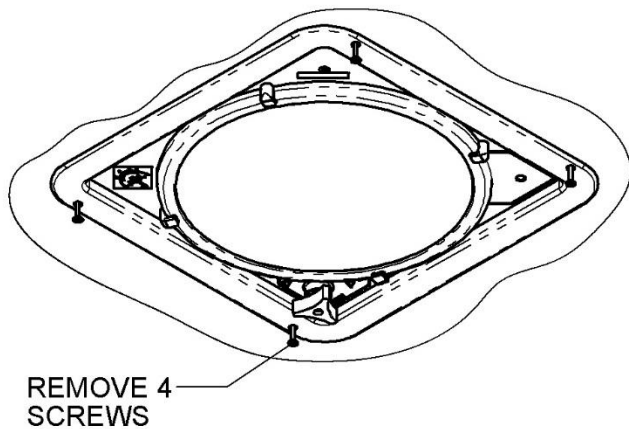
**NOTE:**

To make the installation easier, it would be helpful to have a second person to assist.

**STEP 1**

Remove the four (4) screws that hold the garnish ring to the ceiling. Discard the screws.

NOTE: Removal of these screws allows the garnish ring to fall so care should be taken to prevent the garnish ring from falling on installer.



**STEP 2**

**(LED MAXXShade Model)**

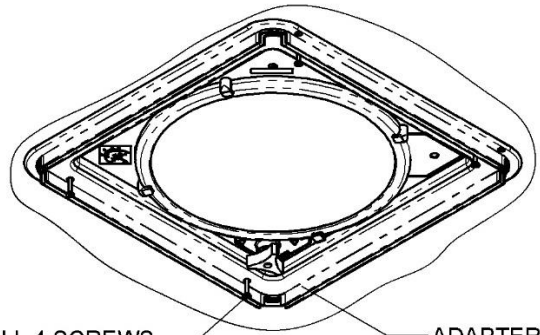
**IMPORTANT!** Disconnect main vehicle power before installation of LED MAXXShade.

With the Garnish Ring out, locate the power supply wires to the MAXXFAN. Gently pull on the vehicle power supply wires to create some slack for connecting the LED wires.

**STEP 3**

Assemble the Adapter over the Garnish Ring and attach to the ceiling with the four (4) screws provided with the **MAXXShade** to secure the Adapter and Garnish Ring to the ceiling.

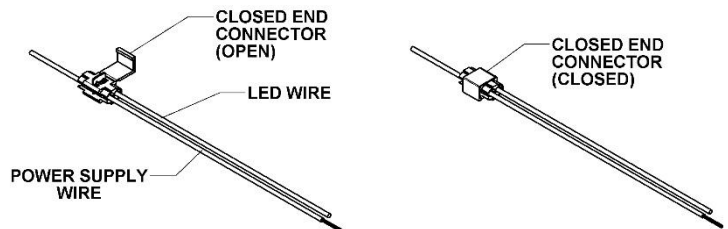
On LED lighted MAXXSHADE, be sure the power wires will not be caught in the mounting screws during adapter installation.



**STEP 3**

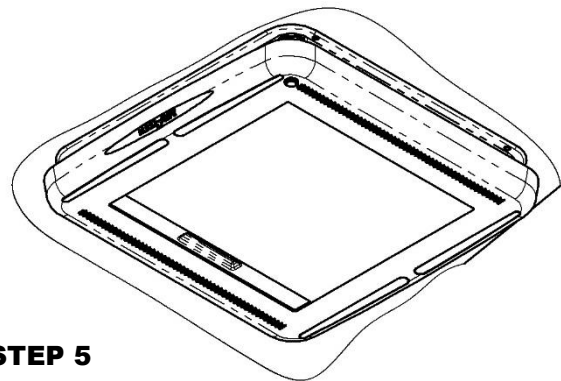
**(LED MAXXShade Model)**

Insert black LED wire as far as it will go into the closed end connector on the side with the hinge. Slide the open side of the closed end connector over the positive (+) power supply wire. Close the clip on the closed end connector which completes the circuit to provide power to the LED light. Repeat the above step for the second power wire and white LED light wire. Make sure the power wires slide to the interior and do not become entangled.



**STEP 4**

Assemble the **MAXXShade** shroud to the adapter, lining up the flanges.



**(LED MAXXShade Model)**

Restore power to the vehicle.

**THIS COMPLETES THE INSTALLATION**