

4

3

2

1

D

D

C

C

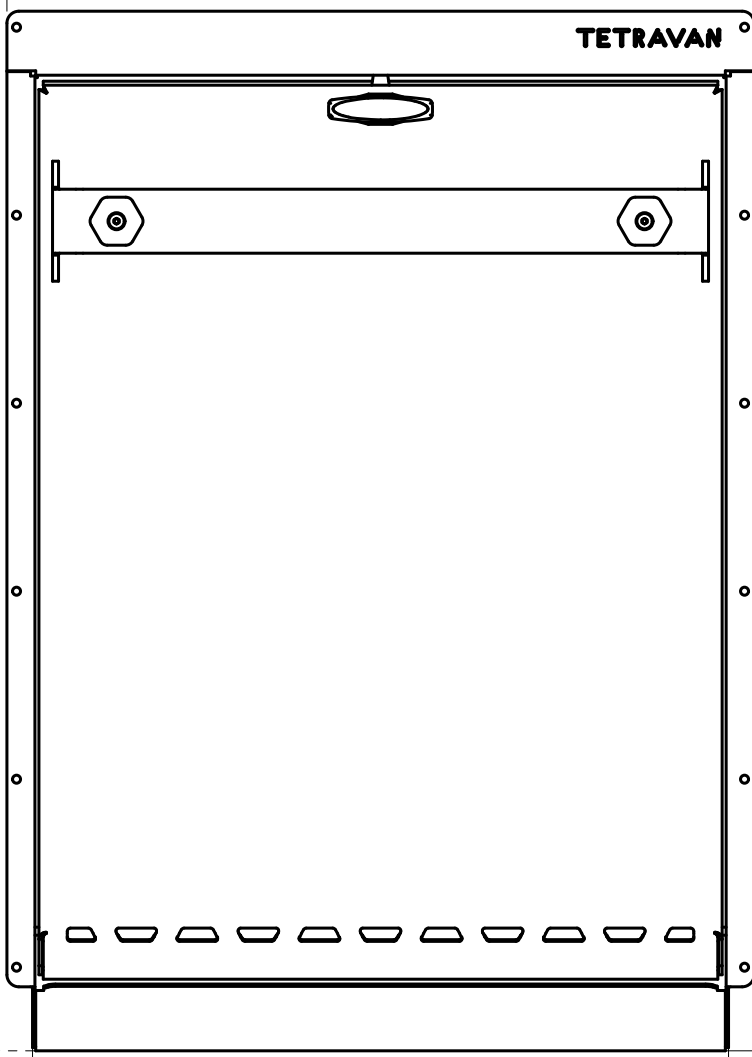
B

B

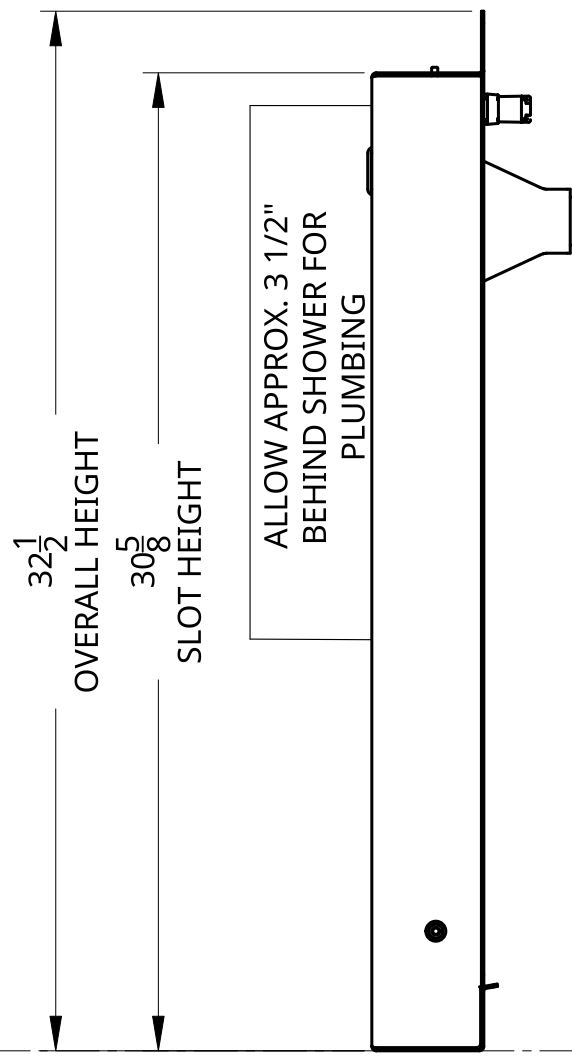
A

A

23 ³/₈
OVERALL WIDTH



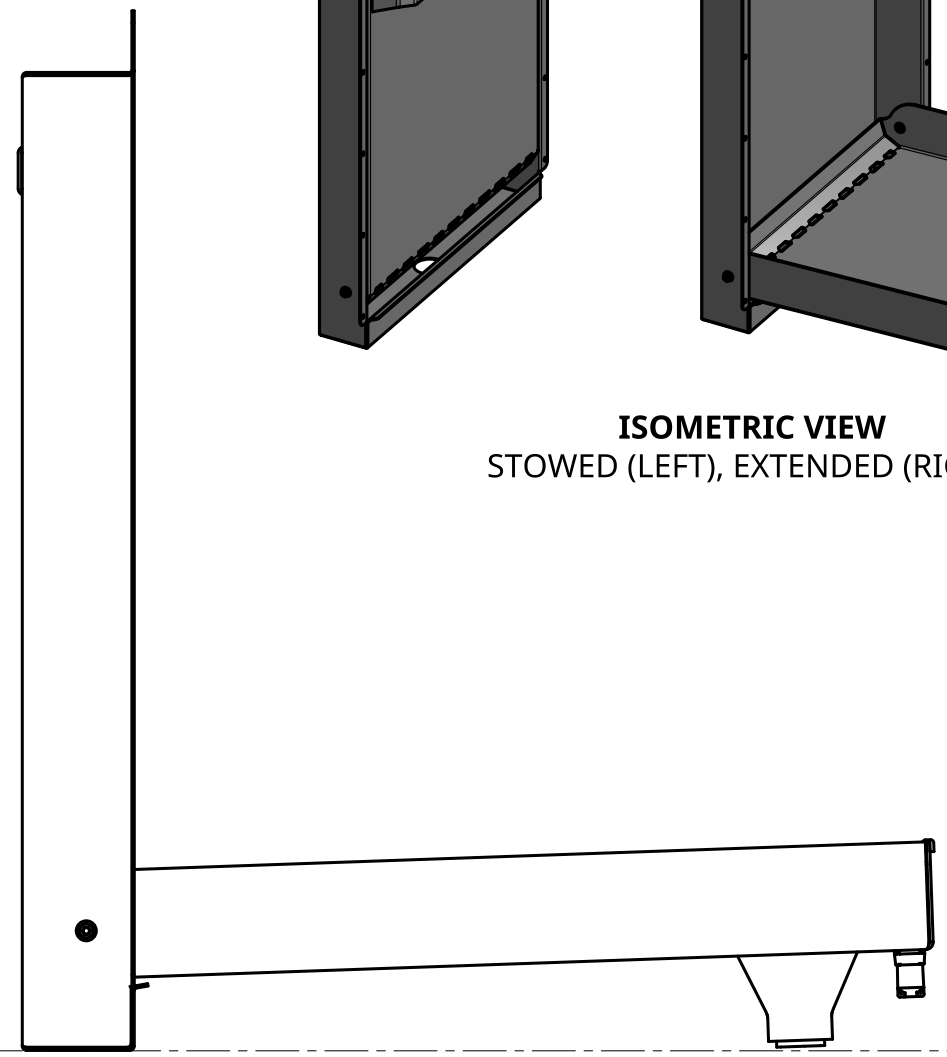
21 ³/₄
SLOT WIDTH



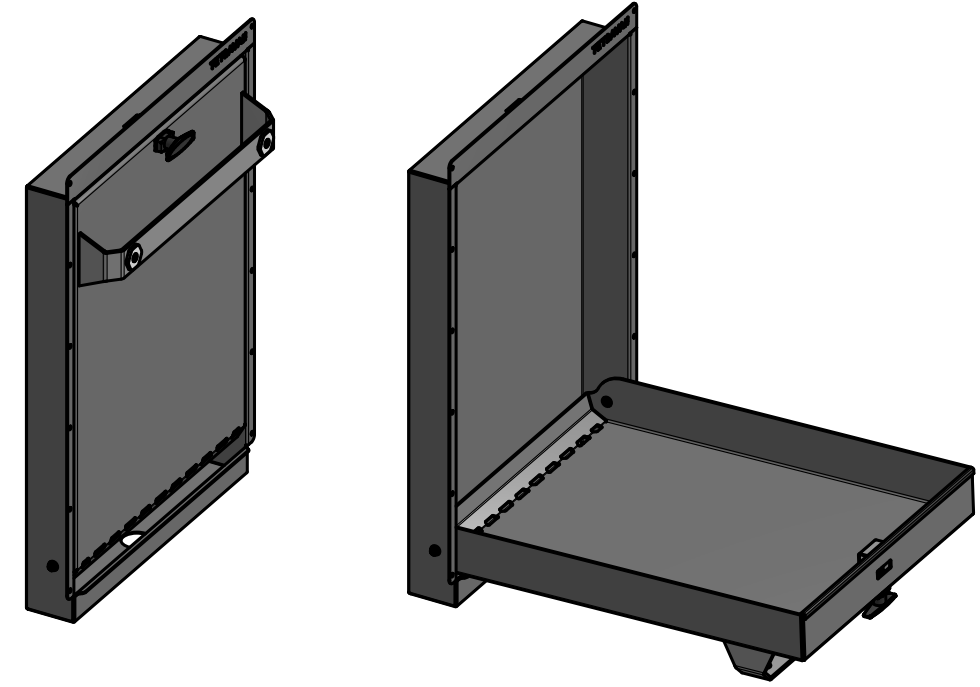
32 ¹/₂
OVERALL HEIGHT

30 ⁵/₈
SLOT HEIGHT

ALLOW APPROX. 3 1/2"
BEHIND SHOWER FOR
PLUMBING



FLOOR



ISOMETRIC VIEW
STOWED (LEFT), EXTENDED (RIGHT)

TITLE			
TETRAVAN FLUSH MOUNT SHOWER			
SIZE	DWG NO.	REV.	
B	TV-00036	C	
SCALE	WEIGHT	SHEET	1 of 1
1:6	---		

4

3

1