

# VANEQUIPPED

## Installation Instructions

for

## Ford Transit Swivels

**Thank you for purchasing VanEquipped swivels**

VanEquipped swivels have been Pull tested and certified to European and North American Standards . Quietest Seat swivels available on the market today.

### **Tools needed :**

5mm Allen Key

10mm Socket

Cutters

Cable ties

### Included :

1x VanEquipped Swivel

4x M8x20 Allen Bolts

4x M8X35 Allen Bolts

4X M8 Nuts

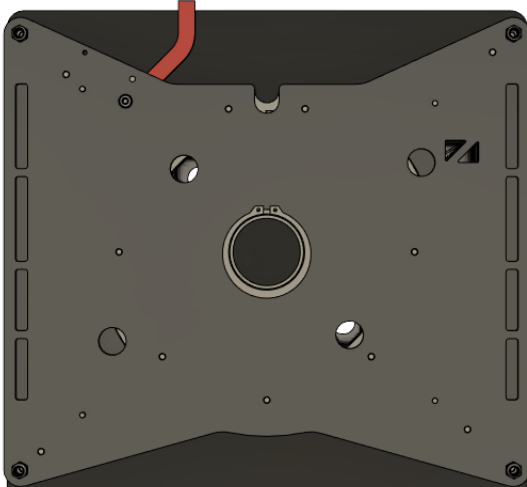
Optional : Manual Handbrake Drop Bracket

**\*\* IMPORTANT BEFORE STARTING: DISCONNECT BATTERY. FAILURE TO DO SO WILL RESULT IN POSSIBLE AIRBAG TROUBLE LIGHT \*\***

1. Disconnect all wiring underneath the seat. Cut any Cable ties holding wires in place.
2. Move the seat to the most forward position. Using a 10mm Socket remove (2) bolts holding the seat rails to the seat base.
3. Slide Seat to the most Rearward position . Using 10mm remove (2) bolts holding the seat rail to the seat base.
4. Remove seat
5. Using fig.1A to determine position of Swivel ( **Important: always make sure that RED release lever is facing forward of the van. )**
6. Once proper position is found , actuate the red lever and carefully rotate swivel to expose bolt holes. Position swivel on seat base. Route wires through the center hole of the swivel. Bolt down swivel using provided (4) M8x20 Allen bolts. **TIP: Hand thread to start , Avoid cross thread**
7. Position Seat on Swivel Plate . Use the (4) M8x20 allen bolts and M8 Nut to attach seat rails to swivel. **Important : Bolts must be installed with Nut on seat rail side or else nuts will contact bottom Swivel Plate**
8. Reconnect wiring to seat. Cable tie as needed to ensure no stress or Pinched cables
9. Ensure Swivel seat preforms smoothly and correctly
10. **Note: Passenger Seat base may need eyelet hook trimmed off**
11. **TIP : Open Door to Swivel (avoid contact with Seat rail and door plastic)**
12. **Enjoy your new VanEquipped swivels!**

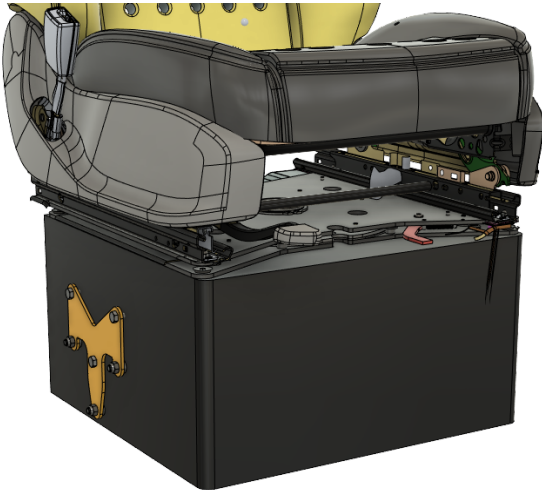
**FIG.1A Swivel Position**

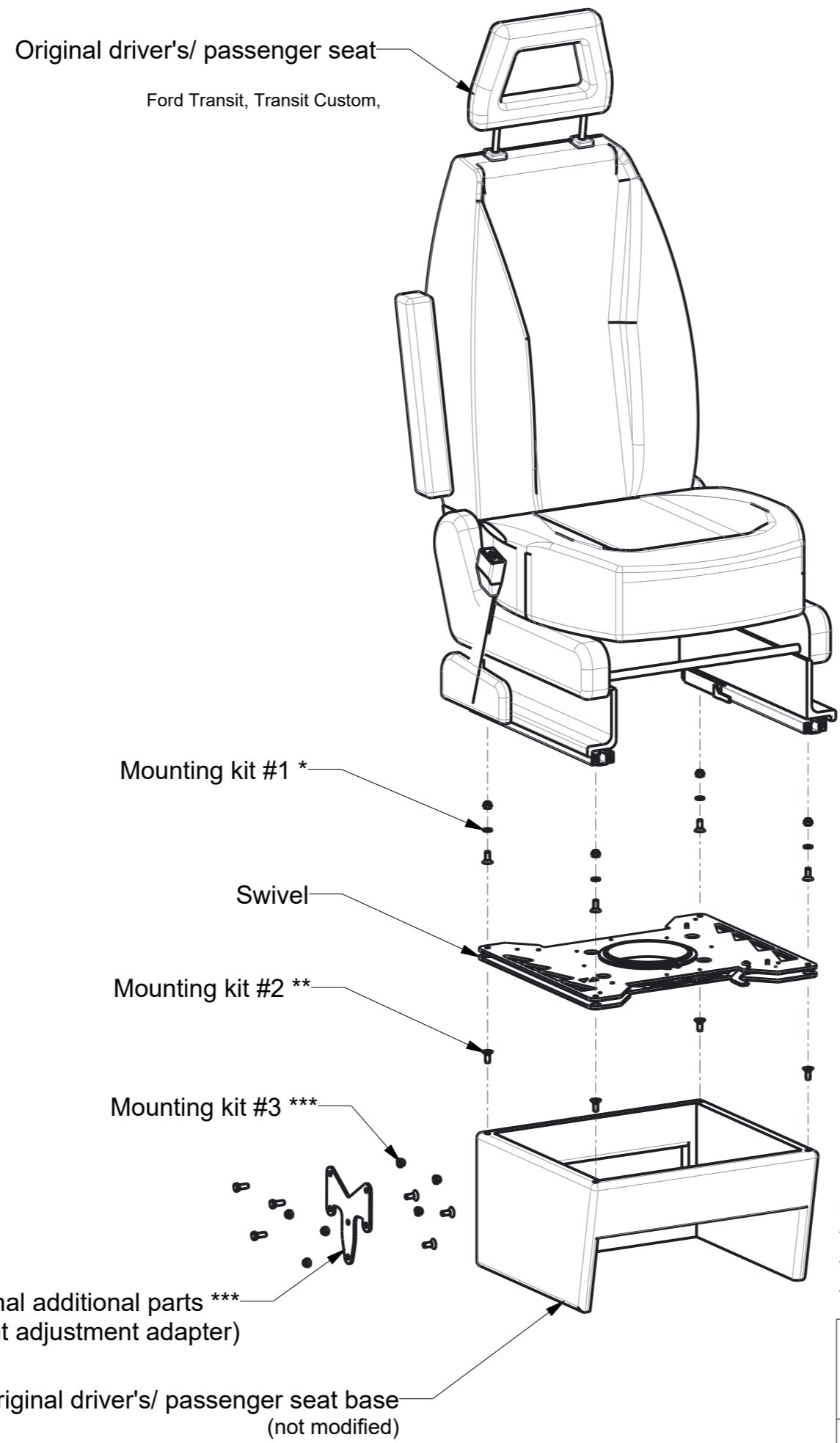
**VAN FRONT**



**VAN REAR**

**FIG.2A . in Yellow. Handbrake Plate (only if van equipped with Manual Lever)**

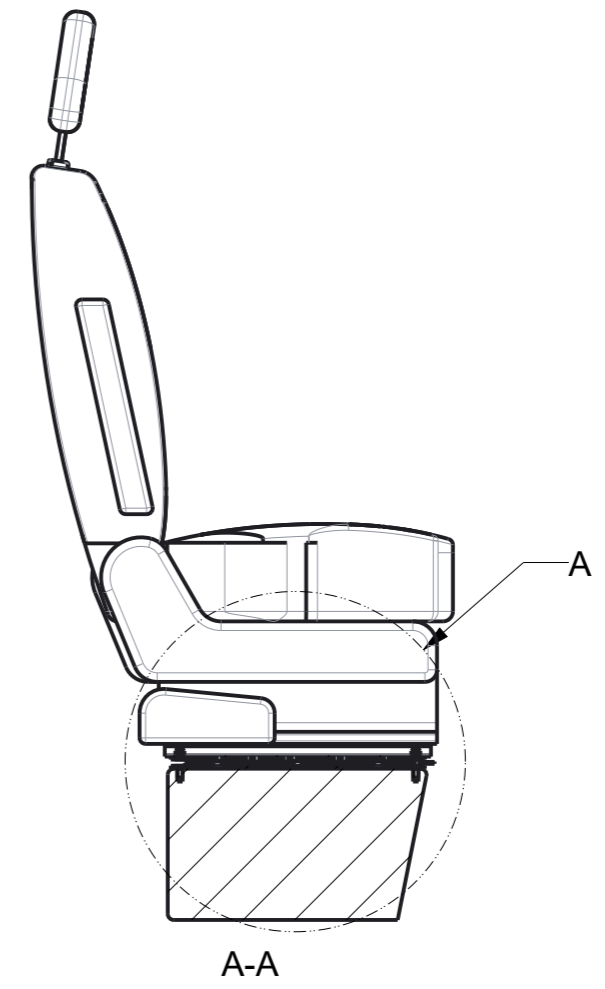
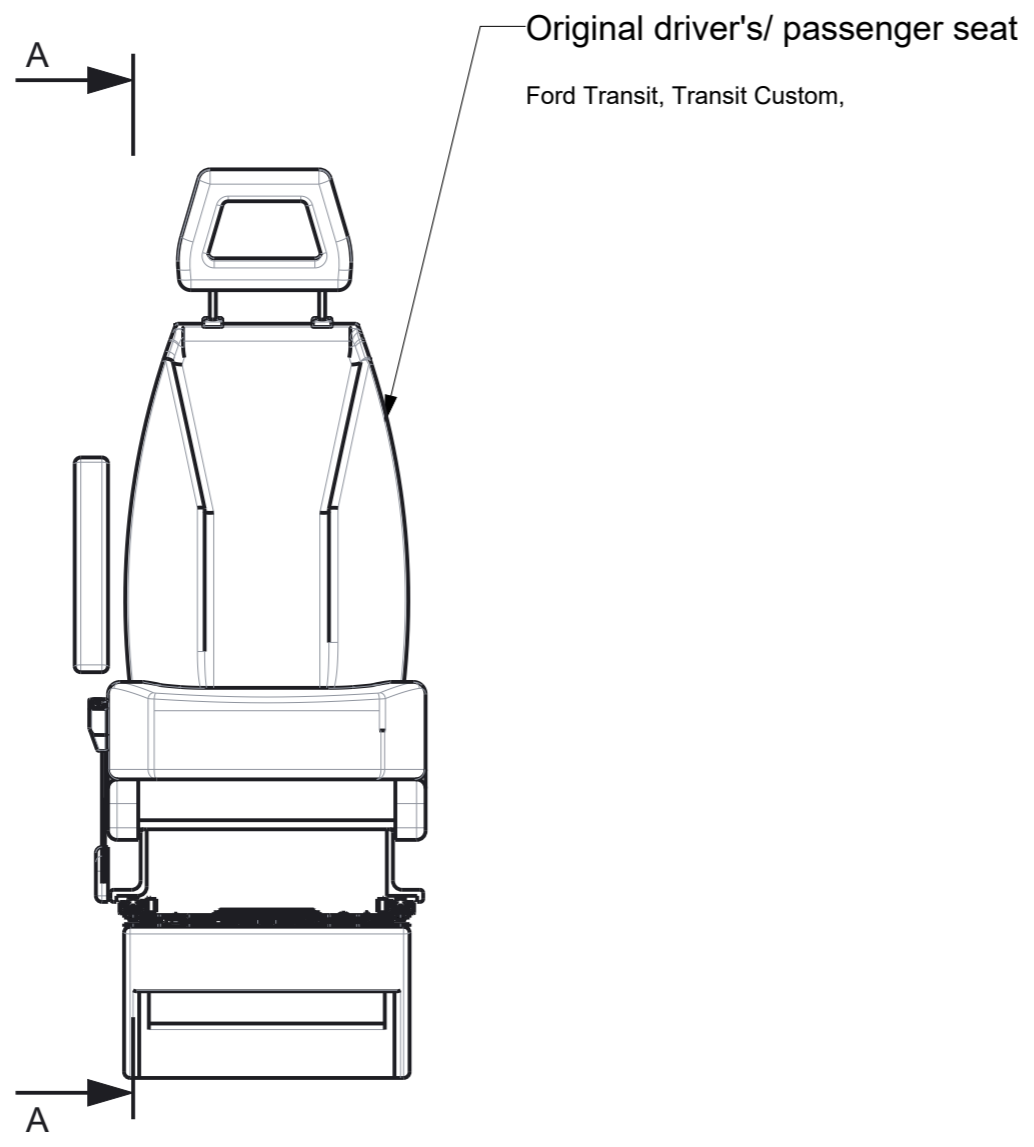




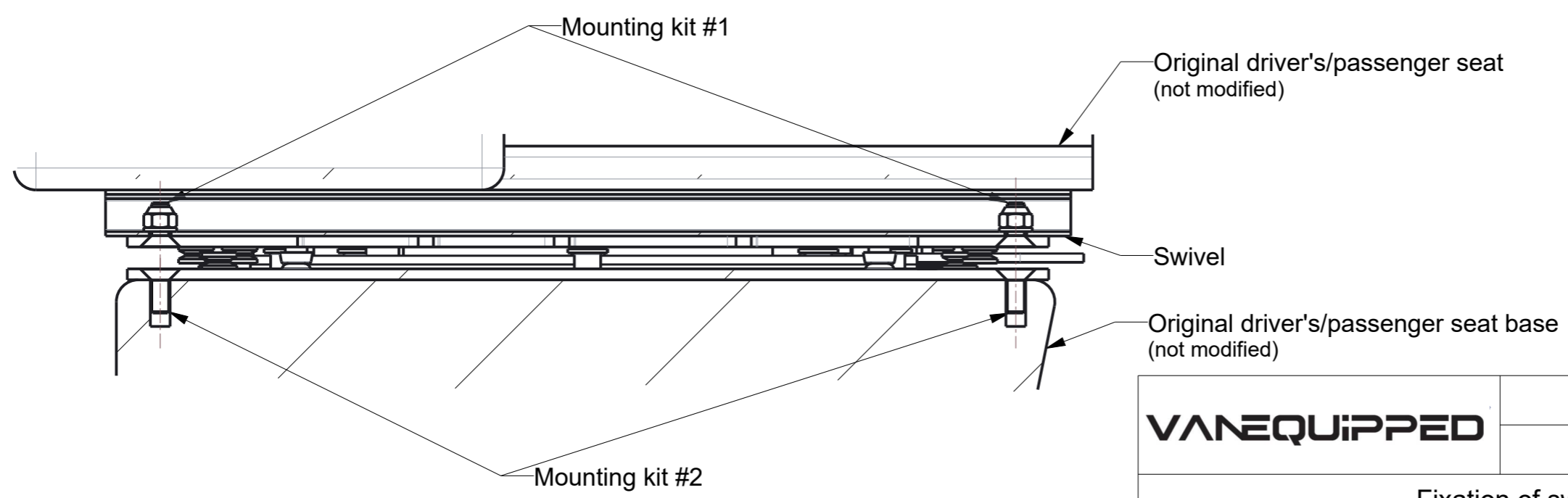
Remarks:

- \* - connection between swivel and original seat
- \*\* - connection between swivel and original seat base
- \*\*\* - additional fixation parts (optional, see Sheet 2/4 and 3/4)

<b>VANEQUIPPED</b>	Kreślił / Drawn by <b>K. Trzyna</b>	Data / Date <b>08-Jul-22</b>
	Zatwierdzony przez/ Approved by <b>Ł. Walczak</b>	Arkusz / Sheet <b>1/8</b>
Fixation of swivel to the seat		
14/17-01-OB		



DETAIL A



<b>VANEQUIPPED</b>	Kreślił / Drawn by K. Trzyna	Data / Date 08-Jul-22
	Zatwierdzony przez/ Approved by Ł. Walczak	Arkusz / Sheet 6/8
Fixation of swivel to the seat		
14/17-01-OB		